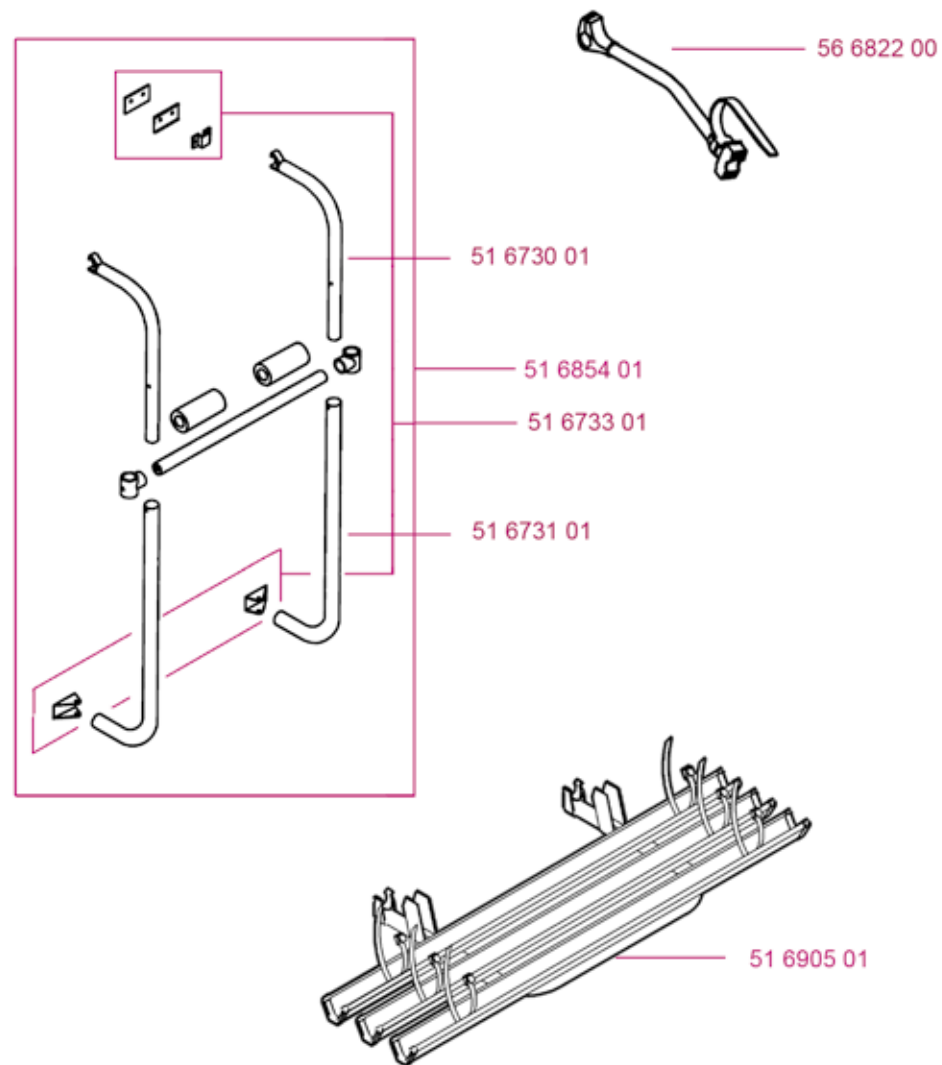


Ver. 2007

OMNI-BIKE 2 bikes



Ver. 2007

OMNI-BIKE 3 bikes